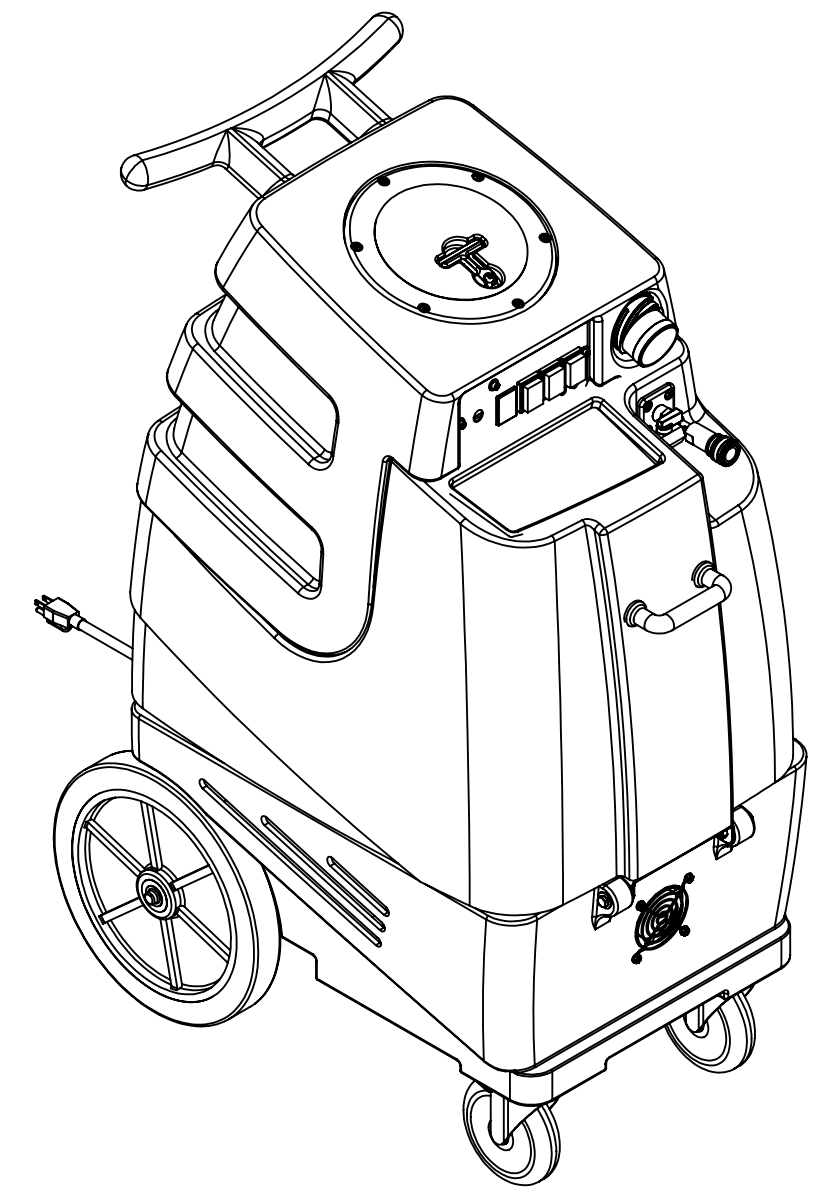


ITEM NO.	PART NO.	DESCRIPTION	QTY.	MSRP
1	H343	screw, #10 x 5/8" hex head, zinc	12	\$0.99 ea
2	H296	guard, cooling fan, wire	3	\$2.99 ea
3	C317	fan, cooling, 115V	1	\$21.49 ea
4	H216	nut, lock, 1/4-20, nylon insert, s/s	10	\$0.99 ea
5	H210	washer, 1/4" flat, s/s	22	\$0.99 ea
6	H202	bolt, 1/4-20 x 3/4" hex head, s/s	14	\$0.99 ea
7	H666	caster, 5", Black hub & gray tread	2	\$23.19 ea
8	H371	axle, 18.25" x .50" dia	1	\$9.99 ea
9	H254	washer, axle, cut 1/2" id	4	\$0.99 ea
10	H251	wheel, 12"	2	\$41.99 ea
11	H219	cap, axle, 1/2"	2	\$0.99 ea
12	H221	nut, lock, 1/2" steel	1	\$1.99 ea
13	H220	fitting, strain relief, cord	1	\$3.19 ea
14	E550	power cord, pigtail, 30", 12/3, black	1	\$11.49 ea
15	P731	base, speedster	1	\$141.99 ea
16	PH615-26	sol hose, 1/2" kuri 100psi	1	\$8.99/ft
17	H347	clamp, hose, 5/16-29/32	4	\$1.99 ea
18	B160	adapter, brass, 1/2" barb x 3/8" fsw, ball end	1	\$3.49 ea
19	B186	elbow, brass, 90 deg, 3/8"mpt x 3/8" fmpt	1	\$8.99 ea
20	AH120	sol hose, 28" x 1/4", 1/4 fpt	2	\$35.49 ea
21	B136	elbow, brass, 90 deg, 1/4" mpt x 1/4" mpt	1	\$4.99 ea
22	B105	bushing, brass, 3/8"mpt x 1/4"	1	\$3.19 ea
23	H299	washer, 11/16" id x 1-1/2" od x .075, s/s	4	\$0.99 ea
24	H273	nut, kep, #10-32 zinc	6	\$0.99 ea
25	H222	screw, 10-32 x 1-1/4" phil pan head, s/s	4	\$0.99 ea
26	C322D	pump, 220psi, demand, 115V	1	\$151.99 ea
27	B172	elbow, brass, 90 deg, 1/2" barb x 3/8"mpt	1	\$9.49 ea
28	H912	bracket, rear, fb/spy	1	\$9.99 ea
29	H770	bolt, 1/4-20 x 1/2" serrated hex flange, zinc	8	\$0.99 ea
30	H307	washer, star, 1/4" steel zinc	2	\$0.99 ea
31	G052	washer, buna 1-1/8" od x 3/16" id	6	\$1.99 ea
32	H211	washer, 1/4" id x 1" od, flat, s/s	6	\$0.99 ea
33	H124	Cuff-Lynx, 2" mpt x 2" female cuff	2	\$3.99 ea
34	H194	coupler, 2" dia x 2.5" length, s/s	2	\$10.00 ea
35	H217	clamp, hose, 2-1/4 dia	4	\$1.49 ea
36	PH628-24	vac hose, 2", wire reinforced	1	\$8.99/ft
37	H213	washer, 1/4" lock, s/s	10	\$0.99 ea
38	H215	nut, hex, 1/4-20 s/s	2	\$0.99 ea
39	G018	cover, sol tank (sp)	1	\$12.99 ea
40	P732	sol tank, speedster	1	\$141.99 ea
41	H768	bolt, 1/4-20 x 3/4" serrated hex flange, zinc	2	\$0.99 ea
42	B107	nipple, brass, 1/4"m, hex	2	\$3.19 ea
43	H484	plate, mounting, QD	1	\$4.99 ea
44	H256	screw, 10-32 x 3/4" phil pan head, zinc	4	\$0.99 ea
45	B142	coupling, brass, 1/4" fpt x 1/4" fpt	1	\$4.49 ea
46	B135	tee, brass, 1/4" mpt	1	\$5.49 ea
47	B102	qd, brass, 1/4" f	1	\$17.99 ea
48	B656	ball valve, 1/4"	1	\$13.49 ea
49	B109	adapter, brass, 1/4" barb x 1/4" mpt	1	\$1.99 ea
50	PH634-36	sol hose, 1/4", silicone braided, clear	1	\$6.49 ft
51	H485	handle, breeze and dx	1	\$6.99 ea
52	H378	bracket, front hinge, sp/fb	1	\$8.99 ea

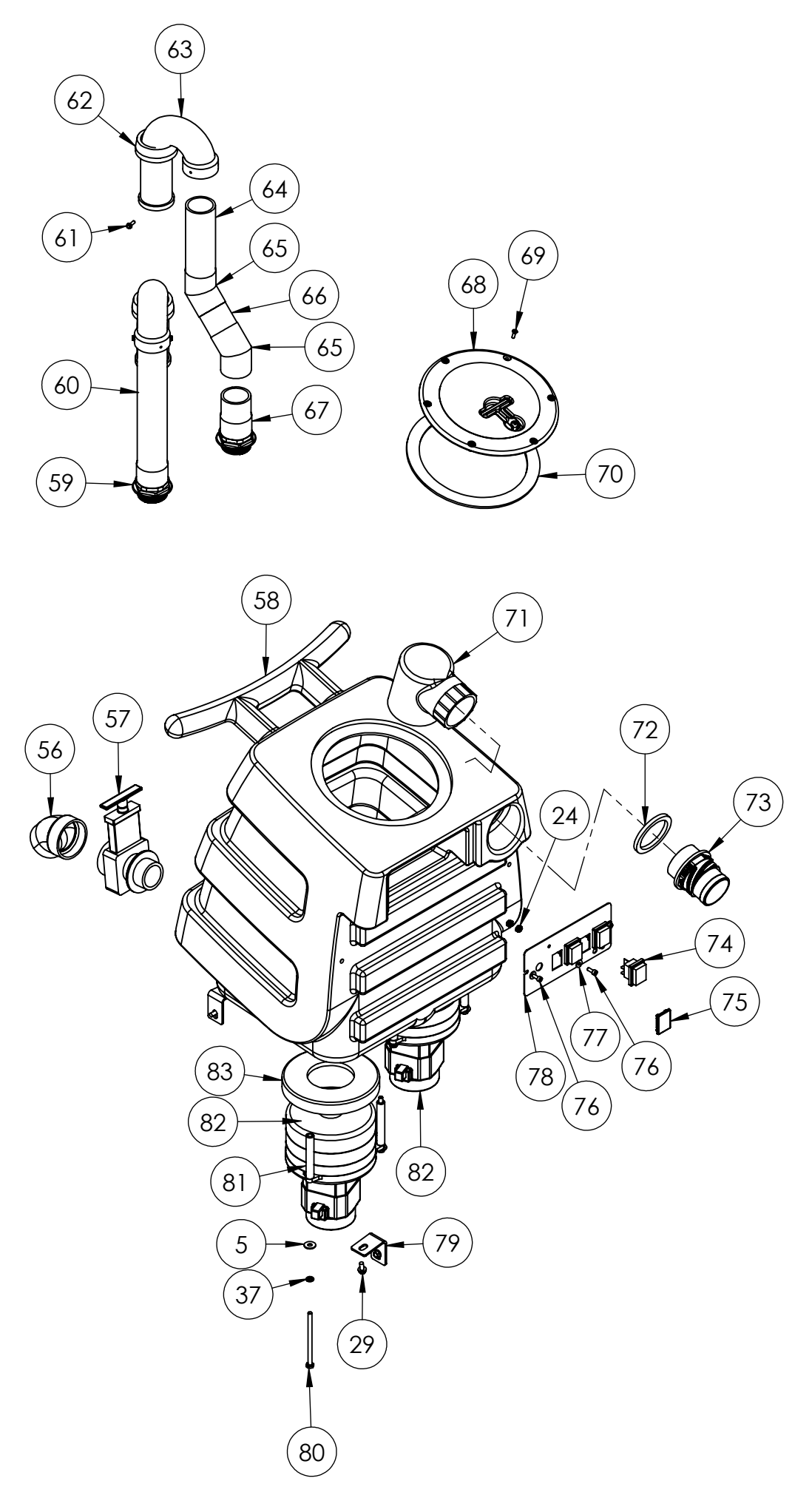
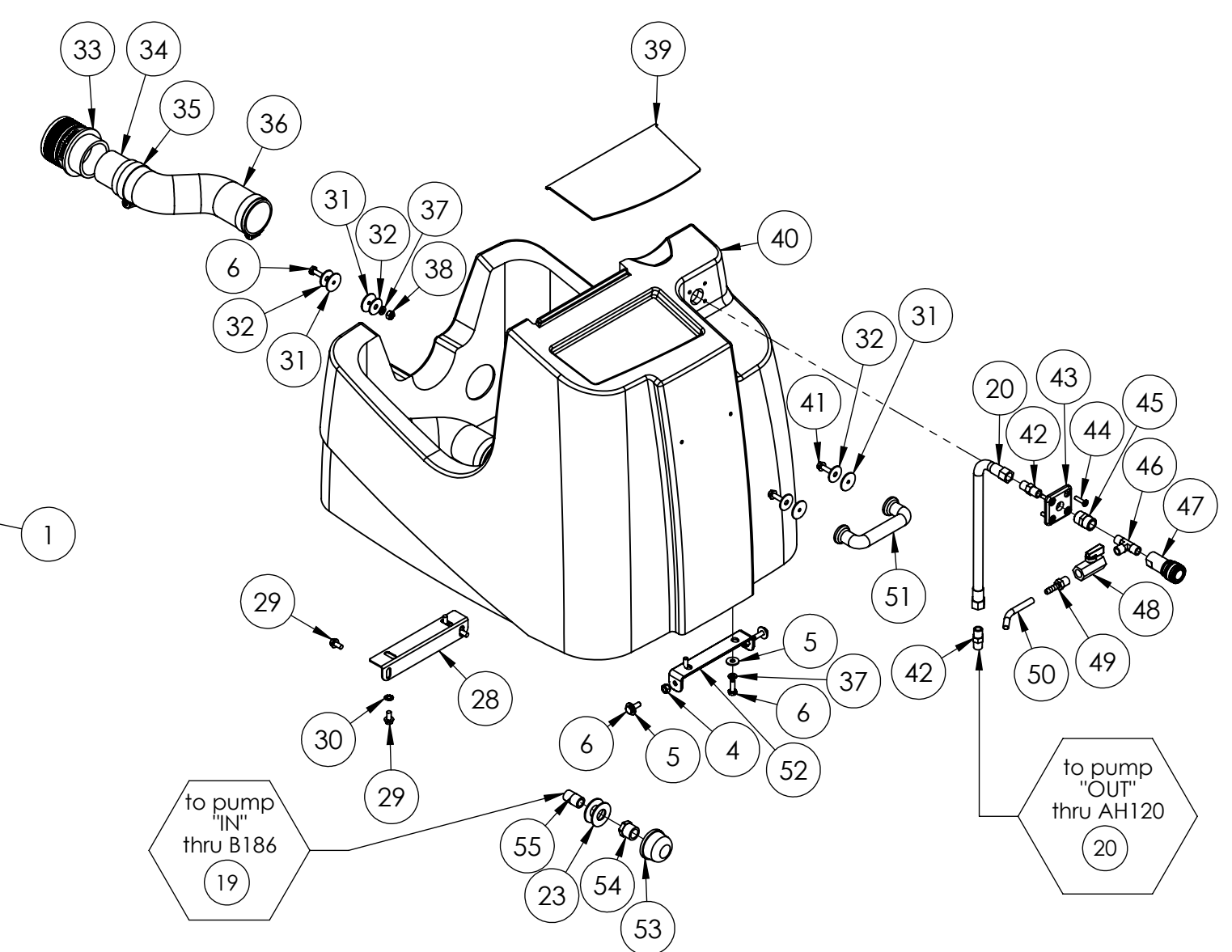
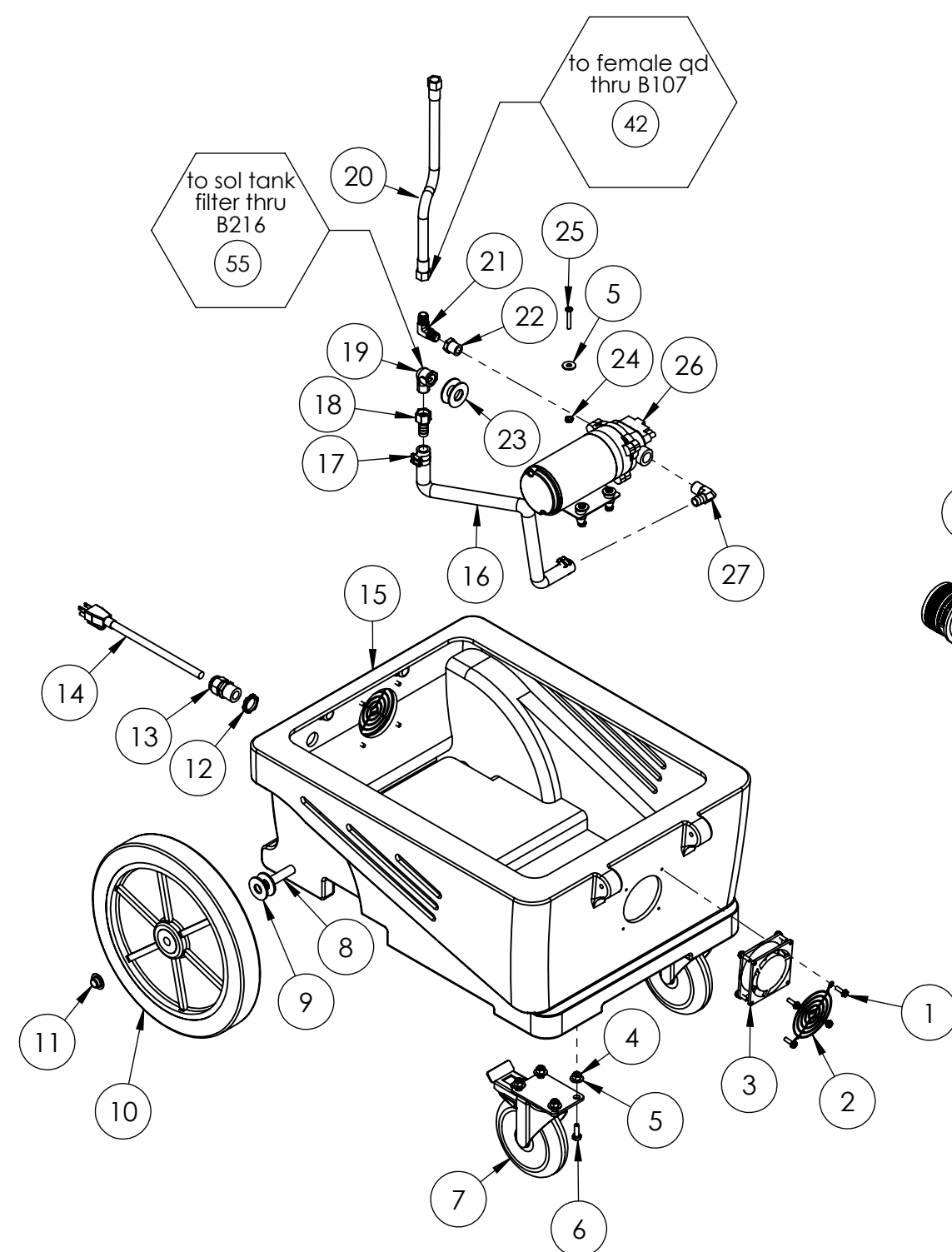
ITEM NO.	PART NO.	DESCRIPTION	QTY.	MSRP
53	B119A	filter, strainer, 1/2"	1	\$6.49 ea
54	B210	bushing, brass, 1/2"mpt x 3/8" fpt, hex	1	\$2.49 ea
55	B216	nipple, brass, 3/8" x close	1	\$1.99 ea
56	H226	spout, drain, 45 degree	1	\$3.19 ea
57	H225	valve, drain, 1-1/2"	1	\$20.99 ea
58	P733	vac tank, speedster	1	\$190.99 ea
59	H314	nut, lock, 1-1/2", steel	2	\$1.99 ea
60	PH633-11	pipe, pvc, 1-1/2"	1	\$4.99/ft
61	H297	screw, 8 x 1/2", hex head, zinc	6	\$0.99 ea
62	H235	float, 1.5", ball style	2	\$19.99 ea
63	P755	elbow, U, 180, 1-1/2", float	2	\$8.99 ea
64	PH633-06	pipe, 1-1/2" pvc	1	\$4.99 ft
65	P503	adapter, 1.5" pvc, 45 deg, fslip x fslip	2	\$3.29 ea
66	PH633-2	pipe, pvc, 1-1/2"	2	\$4.99 ft
67	P520	adapter, pvc, 1-1/2" mpt x 1-1/2" fms	2	\$2.99 ea
68	G090	lid, vac tank, clear, 7"	1	\$36.99 ea
69	H304	screw, #8 x 5/8 phil oval, s/s	6	\$0.99 ea
70	G091	gasket, 7", vac lid	1	\$11.99 ea
71	A926	elbow, inlet assembly 2"	1	\$15.99 ea
72	G083	gasket, 2" inlet	1	\$2.49 ea
73	H135	Cuff-Lynx, 2" m cuff x 2" mpt	1	\$3.99 ea
74	E515	switch, rocker, 2 position	3	\$13.99 ea
75	P967A	plug	1	\$1.99 ea
76	H389	screw, 10-32 x 1/2" SHCS, alloy	3	\$0.99 ea
77	H612	Washer, #8, flat regular	3	\$0.99 ea
78	H348	plate, switch, 1000DX-200	1	\$6.99 ea
79	H390A	bracket, "L"	2	\$6.99 ea
80	H096	bolt, hex, 1/4-20 x 4", zinc Finish	6	\$0.99 ea
81	H503	vac support, 3-stage, 3.25", no threads	6	\$3.99 ea
82	C302LA	vac motor, 3 stage, low amp	2	\$139.99 ea
83	G004	gasket, vac motor - Speedster	2	\$8.99 ea

ITEMS NOT SHOWN

PART NO.	DESCRIPTION	QTY	MSRP
G008	piglet filter	1	\$6.29 pak
G085	gasket, strip, 3/4" x 36" x 1/8"	1	\$4.99 ea
H375	hanger, wire formed, hose	1	\$10.99 ea
H230	screw, 10-32 x 1/2" phil pan head, s/s	2	\$0.99 ea
H141	Cuff-Lynx, 2" x 1.5" reducer	1	\$3.99 ea
H110	Cuff-Lynx, 2" hose x 2" fem swivel Cuff-Lynx	1	\$3.99 ea
E530	power cord, ext 50', 12/3 black	1	\$74.99 ea



NAME	DATE	MYTEE PRODUCTS, INC. 858-679-1191
DRAWN M. LaBarbera	9/2012	
CHECKED		TITLE:
COMMENTS:		speedster
<small>PROPRIETARY AND CONFIDENTIAL</small> <small>THE INFORMATION CONTAINED IN THIS DRAWING IS THE SOLE PROPERTY OF MYTEE PRODUCTS, INC. ANY REPRODUCTION IN PART OR AS A WHOLE WITHOUT THE WRITTEN PERMISSION OF MYTEE PRODUCTS, INC. IS PROHIBITED.</small>		SIZE DWG. NO. REV C 1000DX-200
SCALE: 1:48	DO NOT SCALE DRAWING	SHEET 1 OF 2



	NAME	DATE	MYTEE PRODUCTS, INC. 858-679-1191	
DRAWN	M.LaBarbera	9/2012	TITLE:	
CHECKED			speedster	
COMMENTS:				
<small>PROPRIETARY AND CONFIDENTIAL THE INFORMATION CONTAINED IN THIS DRAWING IS THE SOLE PROPERTY OF MYTEE PRODUCTS, INC. ANY REPRODUCTION IN PART OR AS A WHOLE WITHOUT THE WRITTEN PERMISSION OF MYTEE PRODUCTS, INC. IS PROHIBITED.</small>			SIZE DWG. NO. C 1000DX-200	REV
SCALE: 1:48			DO NOT SCALE DRAWING	SHEET 2 OF 2